

# STATION SHOWER PANEL M

Fixed panel

Glass surface protection  
**Microtek®** INCLUDED  
FLEURCO at no charge.

**3/8" (10 mm) Tempered clear glass • 79" H**

## SHOWER PANEL

29 3/4" to 30 3/8" W x 79" H • Entry opening: walk-in

MODEL	PRICE	FINISH	GLASS
VSXS30-11-40-79	\$440	Chrome	CLEAR
VSXS30-25-40-79	\$451	Brushed Nickel	CLEAR
VSXS30-33-40-79	\$462	Matte Black	CLEAR

For suggested shower bases, visit [www.fleurco.com](http://www.fleurco.com)

## SHOWER PANEL



33 3/4" to 34 3/8" W x 79" H • Entry opening: walk-in

MODEL	PRICE	FINISH	GLASS
VSXS34-11-40-79	\$483	Chrome	CLEAR
VSXS34-25-40-79	\$494	Brushed Nickel	CLEAR
VSXS34-33-40-79	\$505	Matte Black	CLEAR

For suggested shower bases, visit [www.fleurco.com](http://www.fleurco.com)

\*Includes tariffs from Nov. 1, 2019. Subject to change

ALL DRAINS SOLD SEPARATELY

DRAIN NO-CALK™ SHOWER BASE DRAIN*	ABS		PVC		
	Model	Price	Model	Price	
	DRAINABS-11	\$37	DRAINPVC-11	\$37	Chrome
	DRAINABS-25	\$48	DRAINPVC-25	\$48	Brushed Nickel
	DRAINABS-11	\$37	DRAINPVC-11	\$37	Chrome
	DRAINABS-25	\$48	DRAINPVC-25	\$48	Brushed Nickel

For AU\_ bases, please see Bases catalogue, p. 21

\*Please check local codes to ensure appropriate drain specifications



MODEL VSXS30-11-40-79

## STATION WALK-IN SHOWER PANEL

Fixed panel

Fixed shower panel

3/8" (10mm) clear tempered glass

Shower panel height: 79"

Chrome, Brushed Nickel & Matte Black finishes

**Microtek®**  
FLEURCO  
 Glass surface protection

**10**  
 year limited  
 warranty

**FLEURCO™** [www.fleurco.com](http://www.fleurco.com)

# STATION FIXED TUB PANEL M

Fixed tub panel

Glass surface protection  
**Microtek®** INCLUDED  
FLEURCO at no charge.

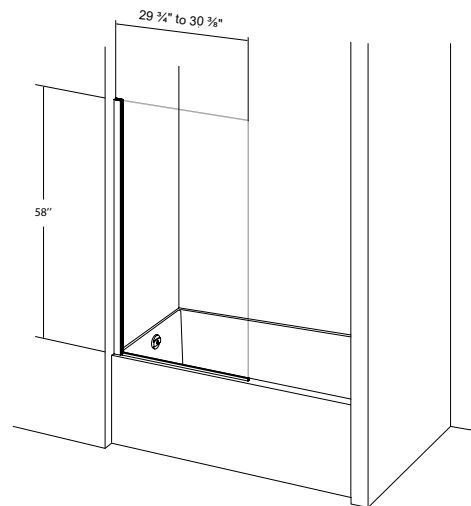
**3/8" (10 mm) Tempered clear glass**

## TUB PANEL

29 3/4" to 30 3/8" x 58" H

MODEL	PRICE	FINISH	GLASS
VSXT30-11-40	\$325	Chrome	CLEAR
VSXT30-25-40	\$337	Brushed Nickel	CLEAR
VSXT30-33-40	\$341	Matte Black	CLEAR

This unit is universal, left and right.  
 Can also be used as a return panel.



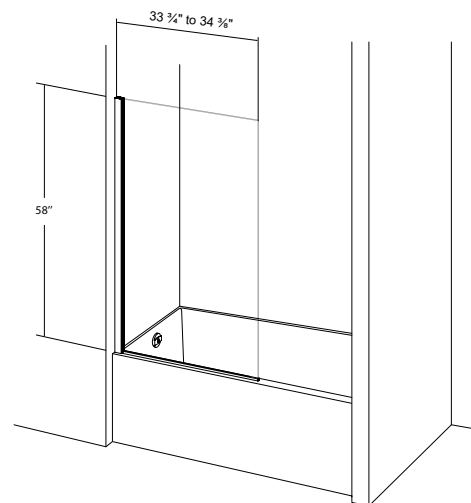
VSXT30

## TUB PANEL

33 3/4" to 34 3/8" x 58" H

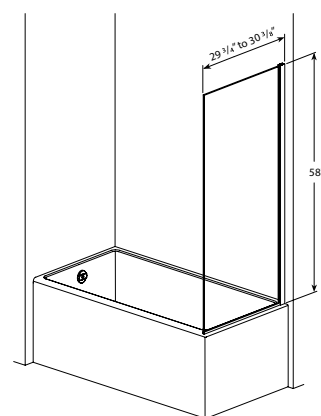
MODEL	PRICE	FINISH	GLASS
VSXT34-11-40	\$356	Chrome	CLEAR
VSXT34-25-40	\$374	Brushed Nickel	CLEAR
VSXT34-33-40	\$380	Matte Black	CLEAR

This unit is universal, left and right.  
 Can also be used as a return panel.

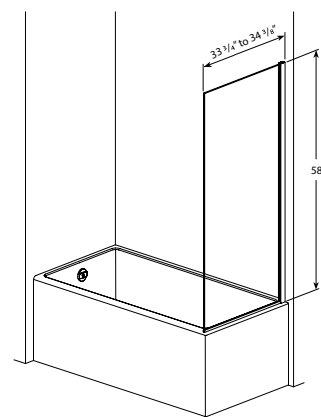


VSXT34

Can also be used as a return panel.



VXST30



VXST34

US|10-01-2019



MODEL VSXT30-11-40

## STATION WALK-IN TUB PANEL

Fixed tub panel

Fixed tub panel  
 Reversible left or right side installation  
 3/8" (10mm) clear tempered glass  
 Tub panel height: 58"  
 Chrome, Brushed Nickel & Matte Black finishes

**Microtek®**  
FLEURCO  
 Glass surface protection

**10**  
 year limited  
 warranty

**FLEURCO™** www.fleurco.com